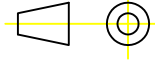
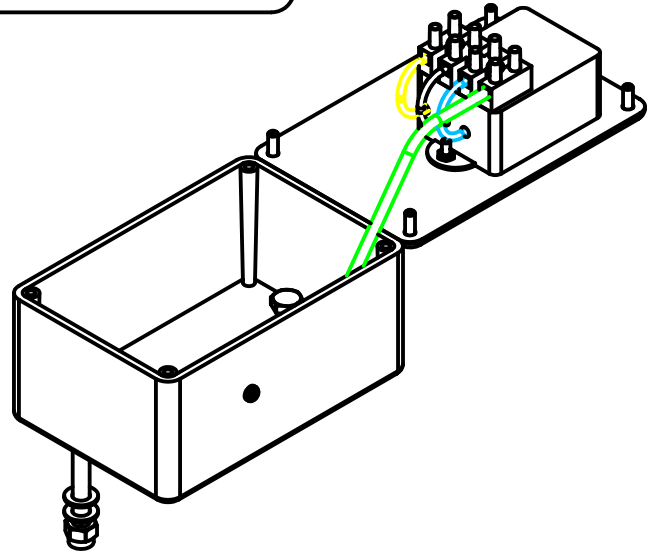
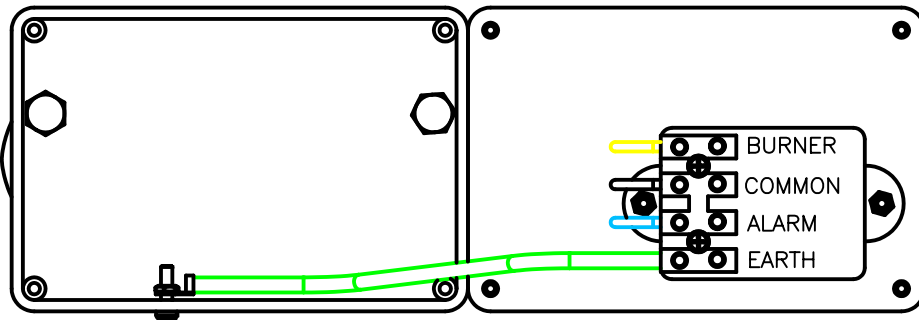
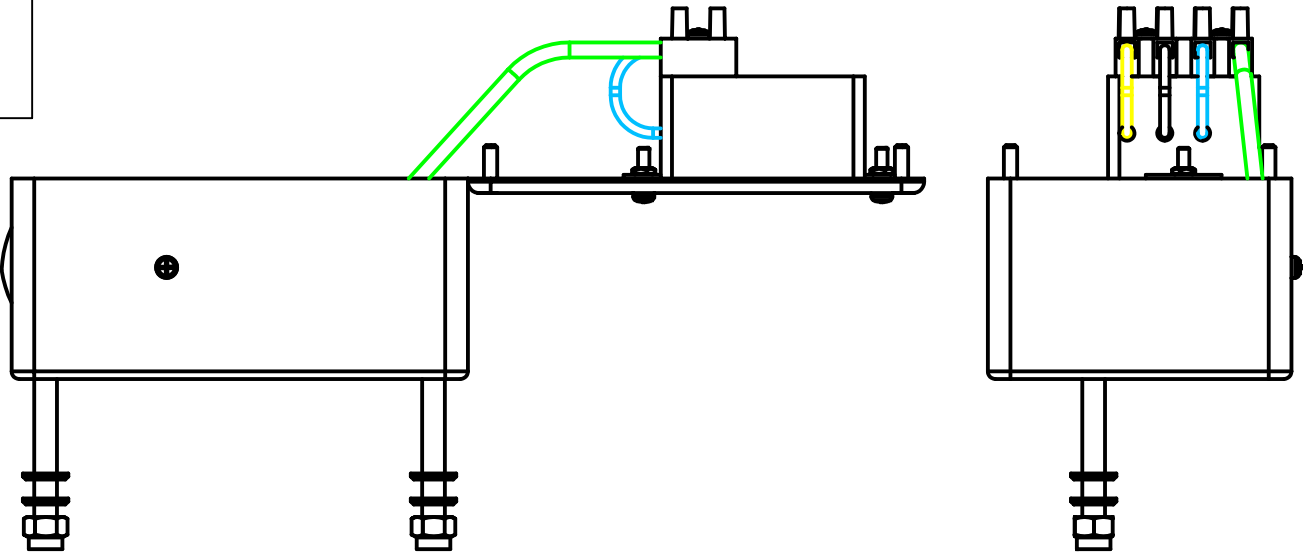


DRG No: A0015\_1

DO NOT SCALE



(FIRST ANGLE PROJECTION BS 308)



MOD	DESCRIPTION	DATE	SIG

TITLE:  
STEEL CASED MERCURY CHANGEOVER SWITCH

# F.E.L Valves Ltd.

GENERAL TOLERANCES

- 0-PLACE DEC [0] ±0.5mm
- 1-PLACE DEC [0.0] ±0.2mm
- 2-PLACE DEC [0.00] ±0.05mm
- ANGULAR ± 0° 30'

DRAWN: S.BOWLER      DATE: 17.04.03

FILE NAME: A0015\_1

96, PICKMERE LANE,  
WINCHAM, NORTHWICH,  
CHESHIRE, UK. CW9 6EB.  
TEL: 01565 733137

SCALE: NTS      [A4]

DRG No: A0015\_1

REMOVE ALL BURRS & SHARP EDGES UNLESS OTHERWISE STATED

High Peak CAD Services Ltd. 127 Manchester Rd, Chapel-en-le-Frith, High Peak, Derbyshire, SK23 9TN. TEL/FAX 01298 813378